

# TACME<sup>®</sup>

The Ideal Ventilation Fans™

## AD SERIES AXIAL DIRECT DRIVE FAN

### Diameter

- 160 mm - 315 mm

### Air Flow

- ~ 600 - 1690 CMH



### Diameter

- 355 mm - 450 mm

### Air Flow

- ~ 1100 - 5500 CMH



**AXIAL DIRECT DRIVE FAN**



# AXIAL DIRECT DRIVE FAN



## CASING

- Rust-resistance pre-galvanized steel
- High performance and low sound level

## MOTOR

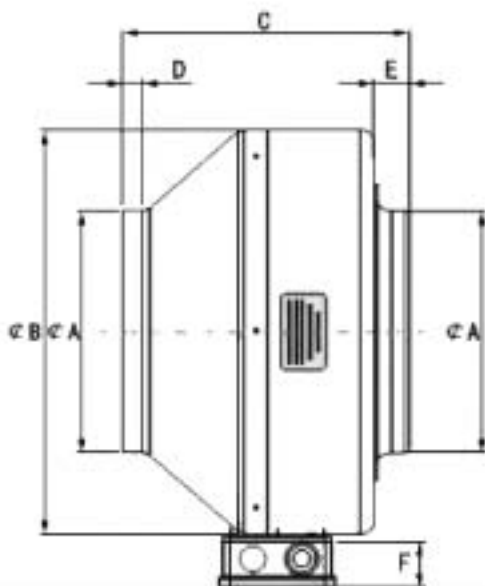
- Unique design external rotor motor

## IMPELLER

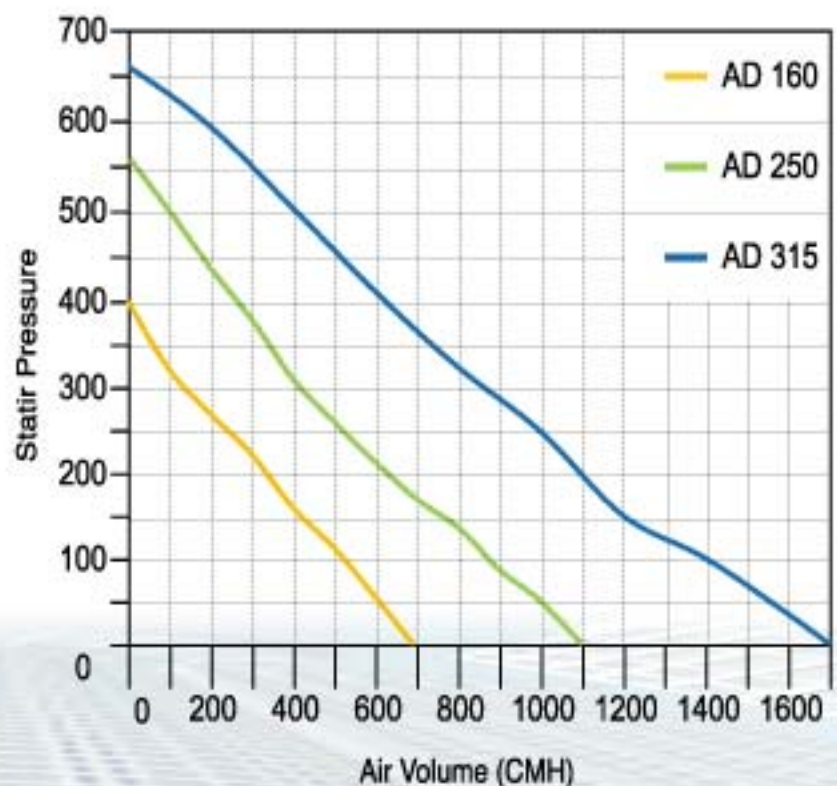
- Backward curve centrifugal impeller with inlet guide vane

Model	Air Flow	Speed	Input Power	Current	Power Supply	Sound Level	Weight	DIMENSIONS (mm)					
	CMH	RPM	Watt	A	V/PH/Hz	dB(A)	kg	A	B	C	D	E	F
AD 160	695	2985	112	0.9	220/1/50	50	3.6	160	278	195	25	25	42
AD 250	1115	2435	175	0.7	220/1/50	50	5.7	250	333	210	28.6	28.5	42
AD 315	1690	2450	303	1.2	220/1/50	52	8.1	315	402	265	25	30	42

## DIMENSIONS



## PERFORMANCE CURVE





# AXIAL DIRECT DRIVE FAN

## CASING/HOUSING

- Hot dip galvanized steel for light & heavy duty and high performance applications
- Steel with Epoxy coat

## MOTOR

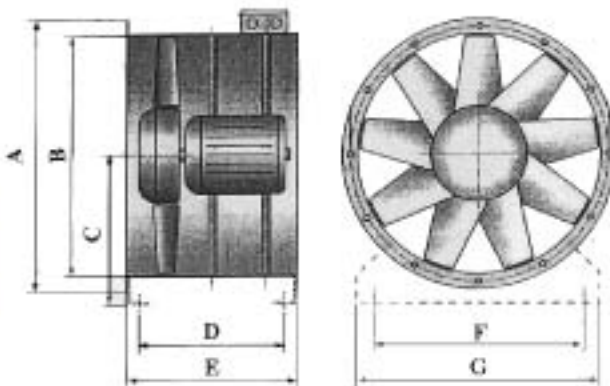
- Class F and enclosure IP 55.

## IMPELLER

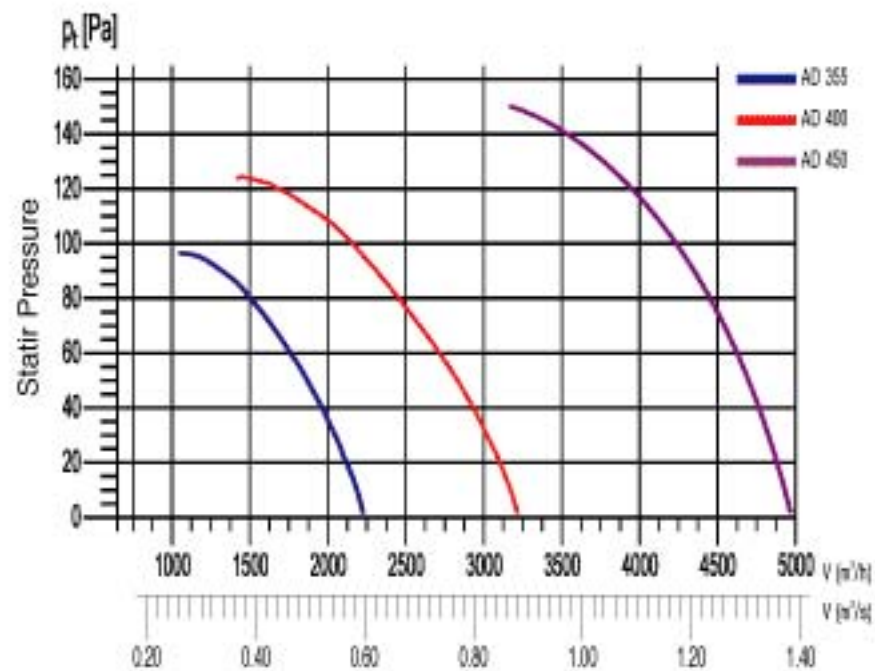
- Hubs and blades are made of cast aluminium alloy, the aero dynamical profile guarantees high efficiency.



## DIMENSIONS



## PERFORMANCE CURVE



Model	Air Flow	Speed	Input Power	Current	Power Supply	Sound Level	Weight	DIMENSIONS (mm)						
	CMH	RPM	Watt	A	V/PH/Hz	dB(A)	kg	A	B	C	D	E	F	G
AD 355	2250	1440	370	0.7	380/3/50	58	41	438	359	225	336	400	305	355
AD 400	3250	1440	370	0.7	380/3/50	61	45	484	401	250	336	400	350	400
AD 450	5500	1440	370	0.7	380/3/50	68	54	534	450	280	415	480	400	450



## CENTRIFUGAL FAN



### DIAMETER

- 225 mm - 1,000 mm

### AIR FLOW

- 1,000 mm - 40,000 CMH

### CASING

- Galvanised Steel

### IMPELLERS

- Steel

## AXIAL FAN

### DIAMETER (Aluminum Impeller)

- 500 mm - 1,250 mm

### DIAMETER (Polypylene Impeller)

- 500 mm - 800 mm

### AIR FLOW

- 5,500 - 40,000 CMH

### CASING

- steel with Epoxy coat



## ROOF VENTILATOR

### DIAMETER (Aluminum Impeller)

- 315 mm - 1,250 mm

### DIAMETER (Polypropene Impeller)

- 315 mm - 1,000 mm

### AIR FLOW

- 2,000 mm - 40,000 CMH